

4

3

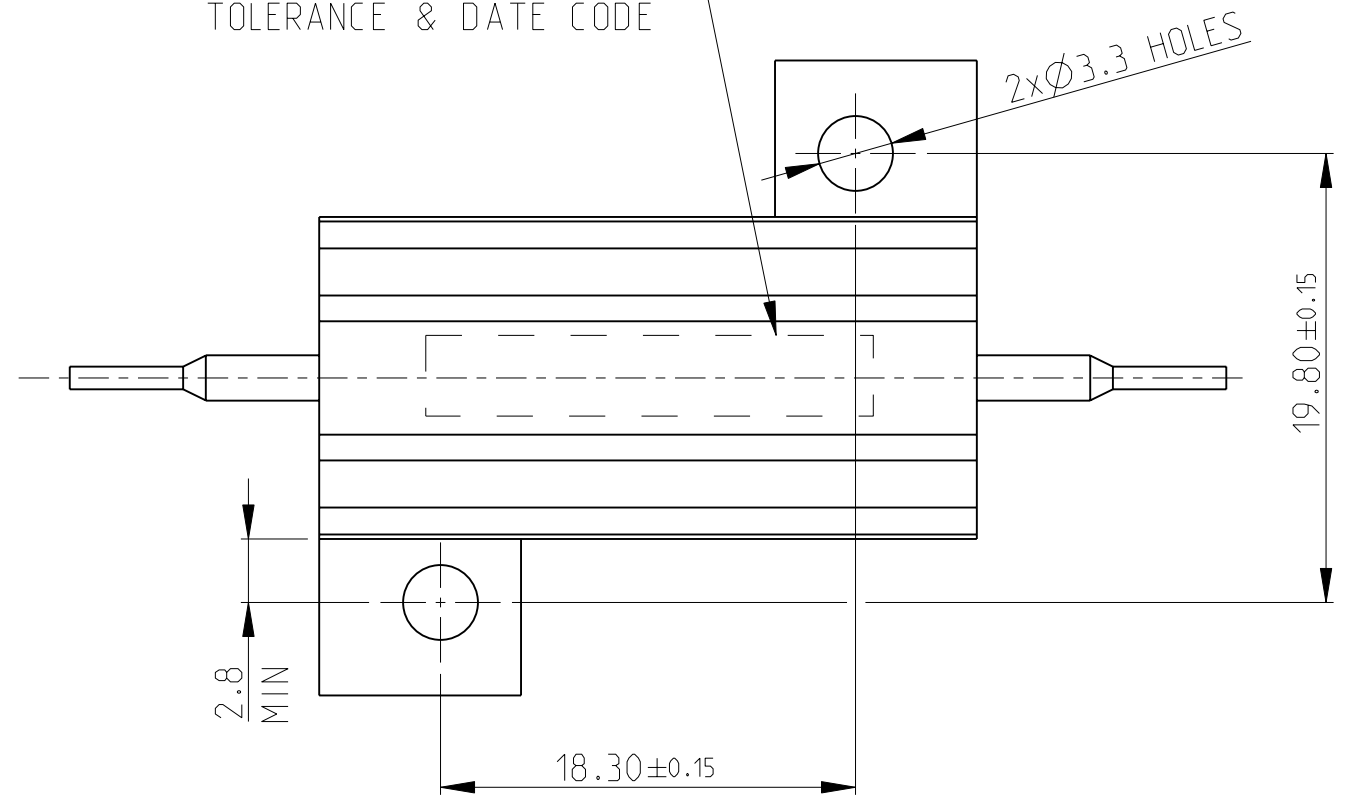
2

1

THIS DRAWING IS UNPUBLISHED. RELEASED FOR PUBLICATION SEP. 2005
 © COPYRIGHT 2005 ALL RIGHTS RESERVED.

LOC	DIST	REVISIONS			
P	LTR	DESCRIPTION	DATE	DWN	APVD
E	B	C2	REVISED PER ECO-11-005150	29MAR2011	RK HMR

TE LOGO, TE CONNECTIVITY PN, VALUE TOLERANCE & DATE CODE

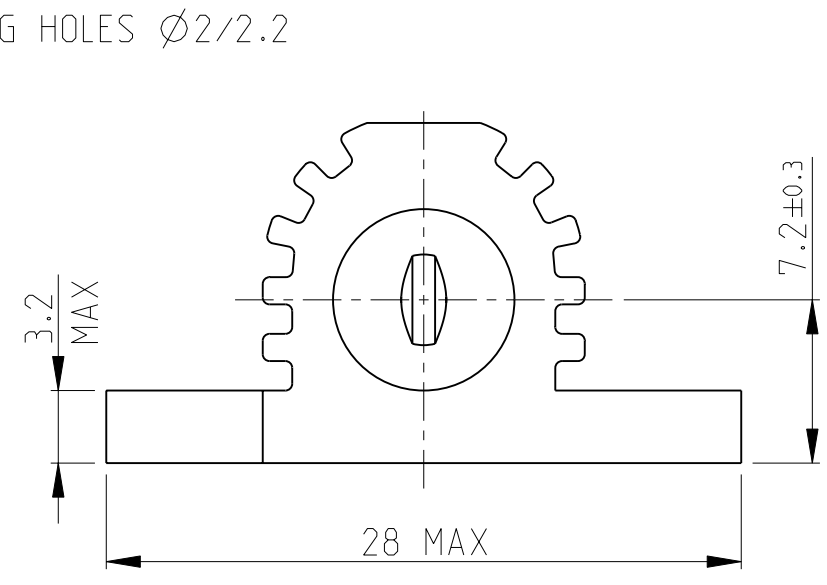
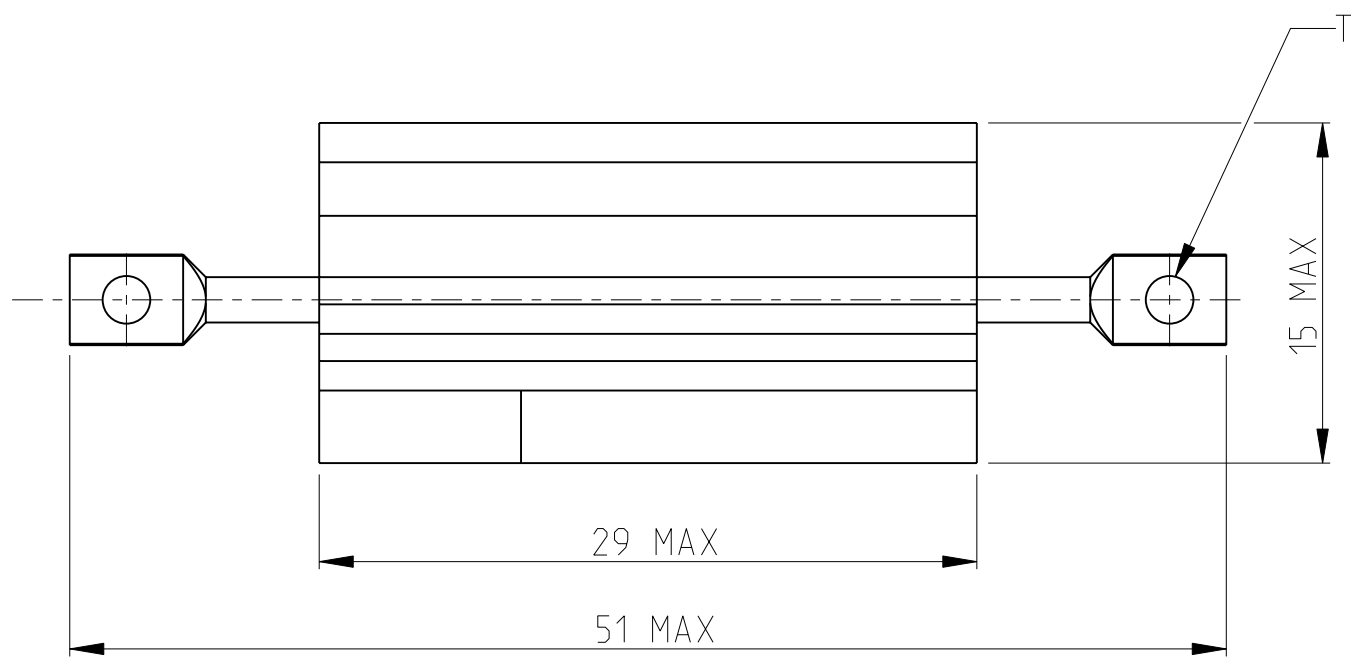


1 FOR FURTHER INFORMATION SEE DATA SHEET FOR HS SERIES-ALUMINIUM HOUSED RESISTORS

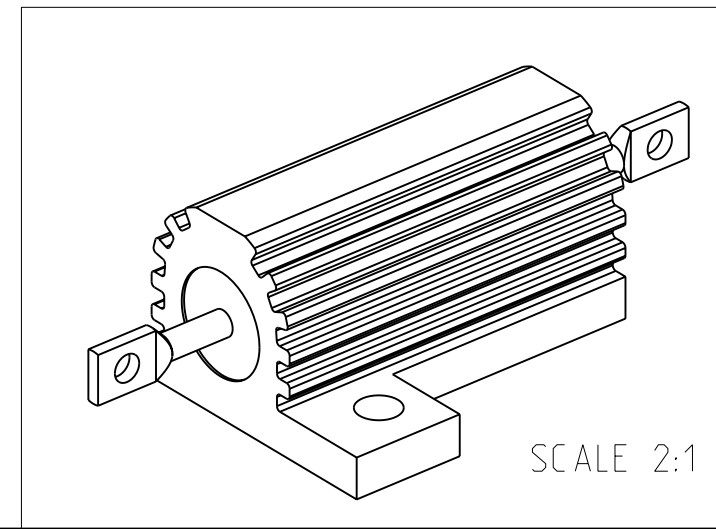
2 FOR A SPECIFIC PN FOR A RESISTANCE VALUE AND TOLERANCE, PLEASE REFER TO DMF


3 TECHNICAL SPECIFICATION

DISSIPATION AT 25°C : 25 WATTS MOUNTED ON STANDARD HEATSINK
 BS OHMIC RANGE : R051 TO 27K
 STABILITY : ΔR < =1% PER 1000hrs
 ISOLATION VOLTAGE : 2500V DC/AC pk
 MAX WORKING VOLTAGE : 500V DC/AC rms
 TEMP COEFFICIENT : > 1R0 50ppm
 > 100R 25ppm
 CLIMATIC CATEGORY : 55/200/56



RoHS Compliant



THIS DRAWING IS A CONTROLLED DOCUMENT.		DWN	29.SEP.05	 TE Connectivity	
DIMENSIONS: mm		CHK	30.SEP.05	NAME	
TOLERANCES UNLESS OTHERWISE SPECIFIED: 0 PLC ±0.5 1 PLC ±0.2 2 PLC ±0.1 3 PLC ± 4 PLC ± ANGLES ±5°		APVD	30.SEP.05	HSA25 METAL CLAD RESISTOR	
MATERIAL -		PRODUCT SPEC	-	SIZE	CAGE CODE
FINISH -		APPLICATION SPEC	-	A3	00779
		WEIGHT	-	DRAWING NO	©=1625971
		CUSTOMER DRAWING		RESTRICTED TO	-
		SCALE	3:1	SHEET	1 OF 1
		REV	C2		